

MTB-3070

7" Vehicle Mounted Computer

- Intel® Celeron N3350 (Apollo Lake) Processor
- 7" 1024 x 600 panel with projected capacitive multi-touch screen
- Wide power input 9-36V DC with ignition
- M12 waterproof connectors
- Front IP65 waterproof and dustproof
- Wi-Fi, WLAN and GPS for wireless connectivity
- Wide operating temperature range -20°C to 60°C
- Shock and vibration resistance according to MIL-STD-810G



System

Processor	Intel® Celeron N3350, 2M Cache
OS	Windows® 10 IoT Enterprise
Memory	2GB SODIMM DDR3L-1600 (up to 8GB)
Storage	64GB M.2 MLC solid state drive SSD

Display

Size	7" display
Resolution	1024 x 600
Brightness	1000 nit.
Touch	Projected capacitive multi-touch
Contrast Ratio	700:1
Viewing Angle	75/75/75/70

Wireless Communication

WWAN	Optional LTE : B1/B2/B3/B4/B5/B7/B8/B13/B17/B20 WCDMA/HSDPA/HSUPA/HSPA+ : 850 MHz/900 MHz/1700 MHz (AWS)/ 1900 MHz/2100 MHz GPRS/EDGE
WLAN	Optional 802.11 a/b/g/n/ac
GPS	u-Blox Neo-M8N

Audio

Speaker	1 Watt speaker, located on the back cover
---------	--

Interface

Computer	1 x RS232 (M12 type) 1 x Gigabit Ethernet LAN 10/100/100 Mbps(M12 type) 1 x DIDO, CANBus (M12 type) 1 x Power input 9-36V DC with ignition 1 x SIM Card Slot 1 x USB A-Type Optional Wi-Fi/WWAN Antenna GPS Antenna
----------	---

Keyboard and Input

Touch	Projected capacitive
Button	On-screen QWERTY keyboard • Front: 5 x function key (Programmable function key configured by Hottab Utility) • Rear: 1 x Power button, 1 x Reset button

LED Indicators

LED Indicators	Power, Storage
----------------	----------------

Mechanical and Environment

Dimension (W x L x H)	188.75 x 144.75 x 39.5 mm (7.43 x 5.70 x 1.56 inches)1D/ 2D Barcode Reader
Weight	1.0 kg (2.20 lbs)
Housing	Back cover aluminum housing
Mounting	RAM Mount, VESA Mount (75x75mm)
Cooling System	Fanless design
Operating Temp.	-20°C to 60°C (-4° to 140° F)

Humidity	10% to 95% RH, non-condensing
IP Proof	Full IP65, dustproof and waterproof
Shock	MIL-STD-810G Method 516.6 Procedure I, 30 g for 18 ms, 300 m/s ²
Vibration	MIL-STD-810G Method 514.6 Procedure I, 1.60/ 1.96/ 2.18 g rms for XYZ/ 5-500 Hz
Certifications	CE, FCC
Power Management	
Power Input	9V-36V, with ignition control

Accessories

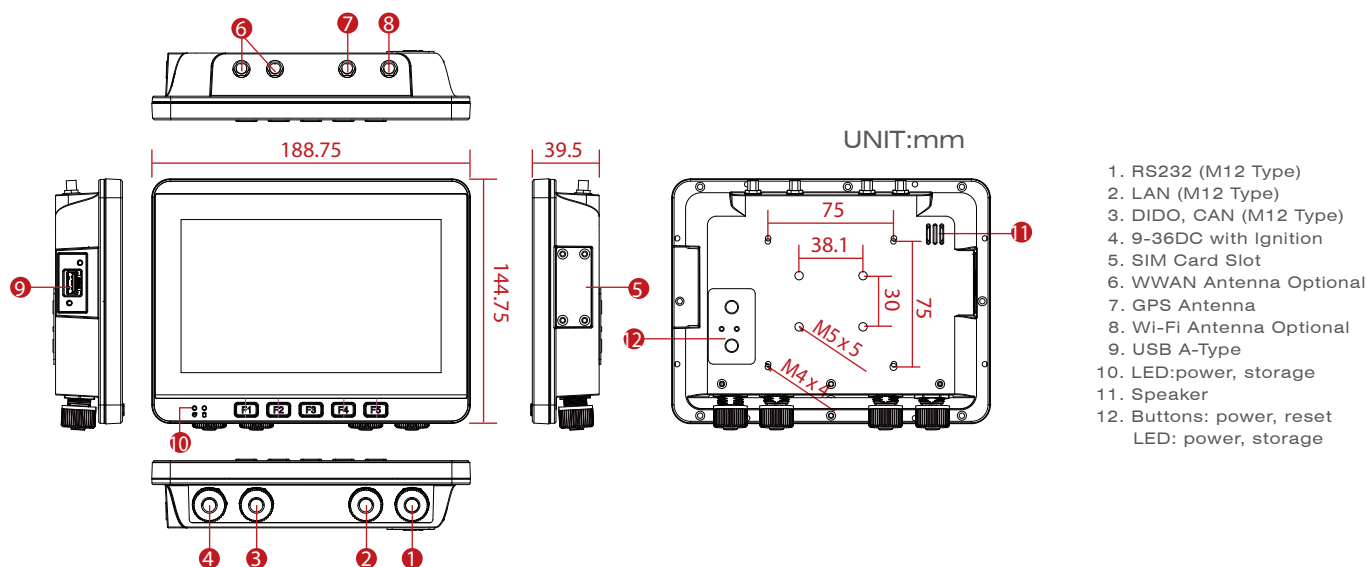
Standard Accessories

User Guide	91521111109C
M12 Power Cable	94J004L040K1
M12 RS232 Cable	94E0123090K0
M12 LAN Cable	94I0120080K0
M12 DIDO/ CANBus Cable	94E012L110K0

Optional Accessories

Mounting Kit 1 – No Drill Solution	98K000A0005Y
Mounting Kit 2 – Drill Solution	98K000A0006P
Mounting Kit 3 – Keyboard Mounting	98K000A000AO

Dimensions



Caution Do not expose bare skin to this product when handling this unit in extreme hot or cold environments

1. Total usable memory will be less depending upon actual system configuration.
2. Length measurements do not include protrusions. Weight varies with options.
3. Accessories may vary depending on your configuration.
4. This is a simplified drawing and some components are not marked in detail.



Notice: Product Specifications are subject to change without notice. / Version : MTB-3070 · Q3 v.1.0 / Update date : 08-29-2018

Midas Touch, Inc

Tel: +886-2-8953-0862 Fax: +886-2-2952-8441

Email: contact@midastouchinc.com

<http://www.midastouchinc.com>

Address: 17F-16, No.1, Sec.1, Zhongshan Rd., Banqiao Dist., New Taipei City 22063, Taiwan (R.O.C)